

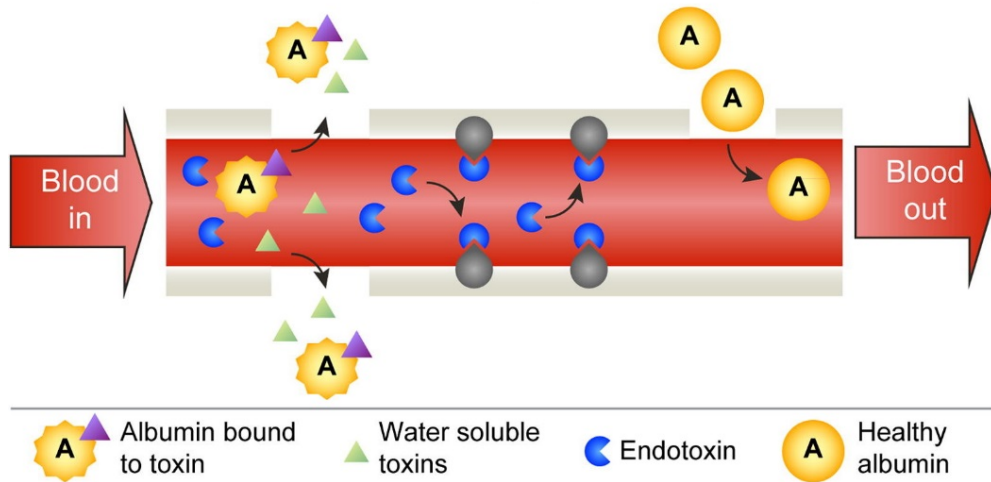
# ALIVER Project overview

## Development of DIALIVE, a novel Liver Dialysis Device for the treatment of patients with Acute on Chronic Liver Failure (ACLF)



# The proposed solution

Acute liver failure → Albumin & toxin filtration + Endotoxin adsorption + Albumin infusion → Increased survival



Lee et al. J Hepatol 2016

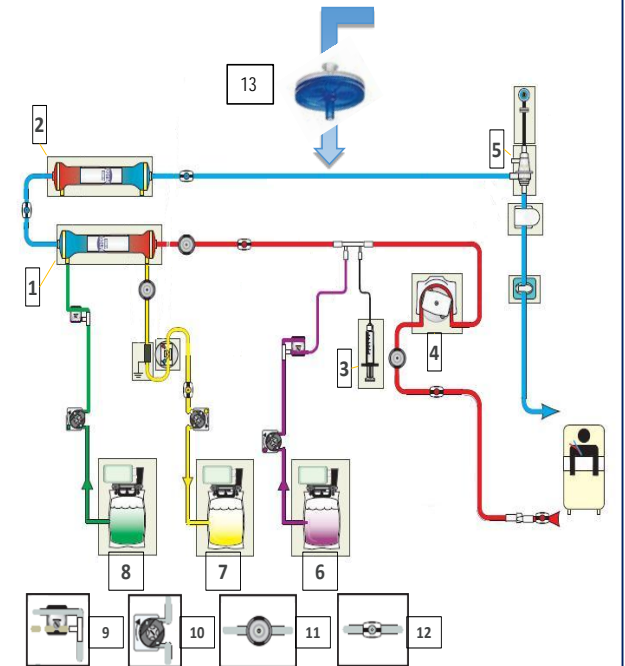
Figure 16. Detailed representation of Dialive incorporating Hepalbin Filter



Hepalbin-Adsorbent Filter (Albutech)

1. Gambro Septex – Albumin Removal (Allocated "FILTER SET 1")
2. Gambro oXiris– Bacterial Endotoxin Removal (Allocated "FILTER SET 2")
3. Heparin Syringe pump
4. Blood pump
5. Bubble trap
6. Pre-Diluter Solution bag
7. Effluent bag
8. Dialysate bag
9. Safety valve
10. Pump
11. Pressure sensor
12. Sampling site
13. Hepalbin Filter

Extracorporeal Support Equipment	Regulatory Status
Prismaflex Monitor	CE 0086
Extension Tubing	CE 0086
Accessories	CE 0086



# The Promise of DIALIVE

